

**Full Mirror Front**



**26mm Ultra Slim Design**



KCV-504/D504

 **Handsfree Videophone**  
**KCV-504/D504**

Compact Slim Design(26mm) | 7 inch digital LCD color monior | Full Mirror Front  
Easy Icon Button | OSD function | Visitor Communication and Door Open  
Communicate with Guard Master phone | Touch button | Guard Phone, Lobby Phone Operating

Monitor for KCV-504 / KCV-D504



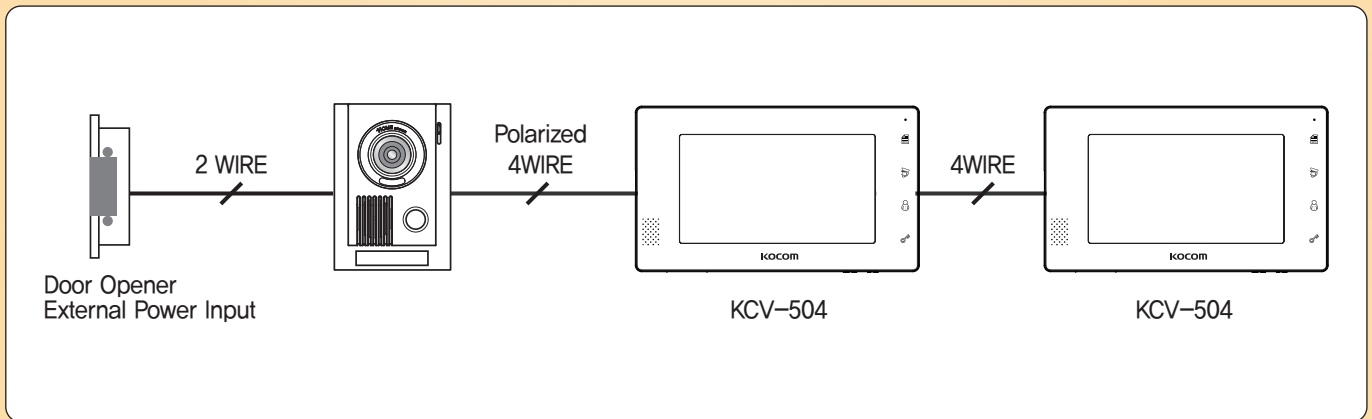
Transparent(Black)    Transparent(White)    Mirror(Black)    Mirror(White)

Camera for KCV-504 / KCV-D504

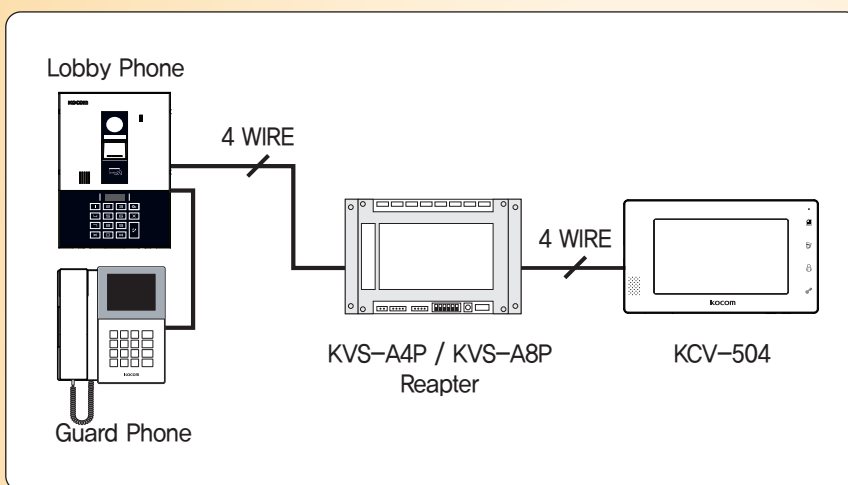


KC-MC24    KC-C60    KC-MC20    KC-MC30    KLP-C410

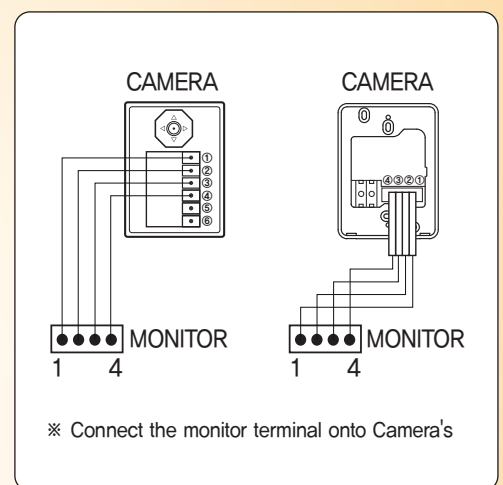
## System configurations (Cam Mode)



## System configurations (System Mode)



## Camera connection wiring



### ※ Caution for Camera Installation

When turned on, the monitor automatically detects if video signal(CAM1) is NTSC or PAL.  
So, after connecting camera(CAM1), the monitor should be turned on again.

## Specifications

Monitor	Model number	KCV-504		KCV-D504	
	Power Source	AC90V-AC240V 50/60Hz		DC 15V-2A(JPW128KA1502N05)	
	Power Consumption	Stand by 1W, In load 8.5W(±20%)			
	Operating Temperature	0°C ~ +40°C			
	LCD	7 Inch color LCD			
	Communication System	Handsfree type			
	Wiring	Door camera wiring - Polarized 4 lines (VCC[12V] / GND / VOICE / VIDEO)			
	Mount Type	Surface mount			
Dimension	223(W) x 130(H) x 26(D) mm				
Door Camera	Model number	KC-MC30	KC-MC24	KC-C60	KC-MC20
	Power Source	DC 12V±1V(Power from Monitor)			
	Power Consumption	Max. 3W			
	Operating	-10°C ~ +50°C			
	Dimension	110(W) x 158(H) x 39(D)mm	96(W) x 127(H) x 32(D)mm	95(W) x 127(H) x 34(D)mm	40(W) x 120(H) x 22(D)mm
	Angle of Lens	Diagonal 120° (angle adjustable)	Diagonal 90°	Diagonal 90°	Diagonal 90°

※ Door Camera Wiring - Polarized 4 lines (VCC[12V]/GND/VOICE/VIDEO)

# KOCOM

KOCOM CO., LTD.

Head Office KOCOM BLDG., 22, Arayuk-ro, Gochon-eup, Gimpo-si, Gyeonggi-do, 415-816, Korea

TEL : +82-2-6675-2211 | FAX : +82-2-6675-2000 | E-mail : export@kocom.co.kr | www.kocom.com

※ This catalog is based on the date as shown in the right and specifications are subject to change without notice for quality improvement.

KCV-504 | 00328