

Electric Dropbolts EB190TG/195TG Fail-Safe Series

The EB190TG/195TG fail-safe series electric dropbolt can be mounted horizontally or vertically and provides various functions. It is designed for use on double action doors and available in surface mount models for metal or glass door application. It also includes a push button input for easy and quick installation.

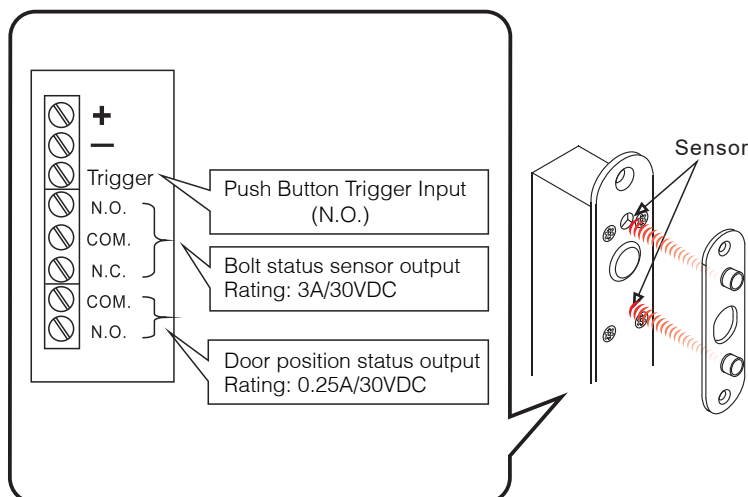
Standard Features

- Horizontal or vertical installation
- Fail-safe
- Vandal resistant - The lock cannot be deceived by slipping a metal object between lock and the strike plate
- Built-in intelligent electronics allows the bolt to project several times if the door is not closed properly
- Built-in bolt status sensor and door position sensor
- Relock time delay
- Easily connects to push button exit device

Specifications

- Voltage: Field selectable 12 /24 VDC
- Current Draw: Pull in: 0.9Amp/12VDC, 0.45Amp/24VDC
Holding: 0.15Amp/12VDC, 0.1Amp/24VDC
- Temperature: +14° to +113°F (-10° to +45°C)
- Humidity: 0% to 95% Non-Condensing
- Relock Time Delay: Selectable 0, 3, 6, 9 Seconds
- Lock Body: Zinc alloy construction
- Faceplate Finish: Brushed stainless steel
- Housing Finish: Anodized aluminum
(For EB195TGS, EB195TGVGL)

Connection Diagram



EB190TG



EB195TG

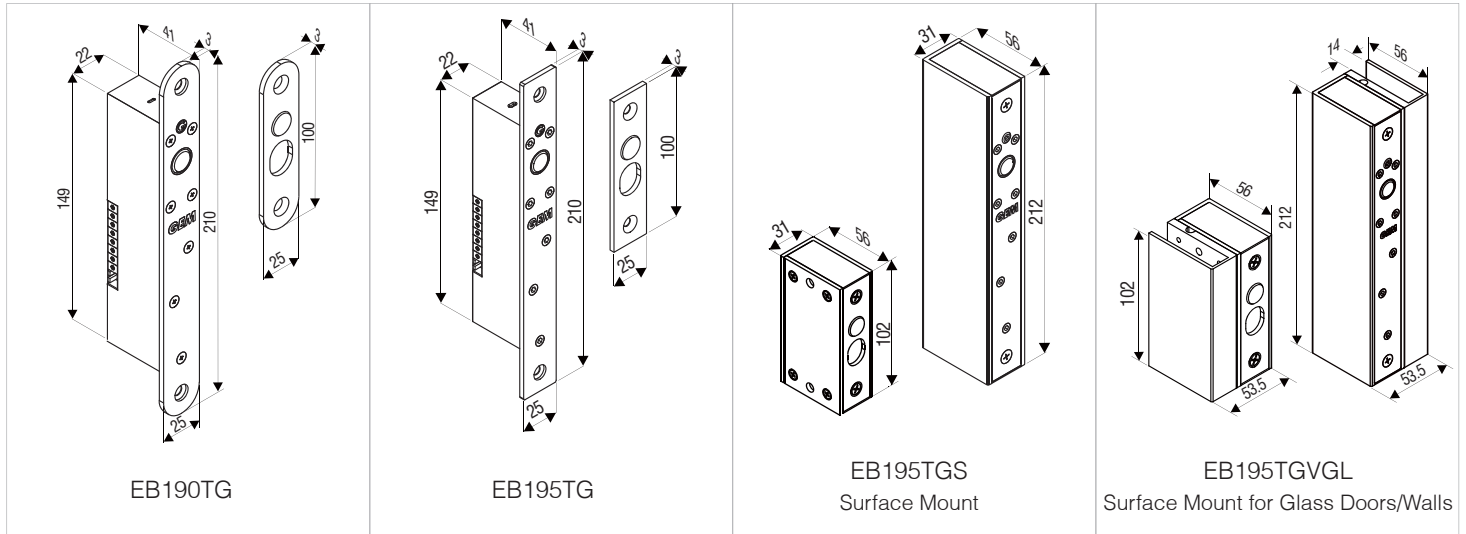


EB195TGVGL



EB195TGS

Dimensions

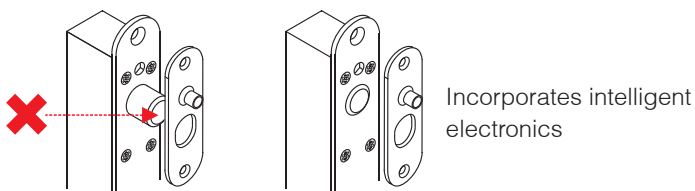


Models

Part Number	Descriptions
EB190TG	Includes a push button input and round corner faceplate, Mortise mount
EB195TG	Includes a push button input and square corner faceplate, Mortise mount
EB195TGS	Includes a push button input and square corner faceplate, Surface mount
EB195TGVGL	Includes a push button and square corner faceplate, Surface mount, For glass door and wall application

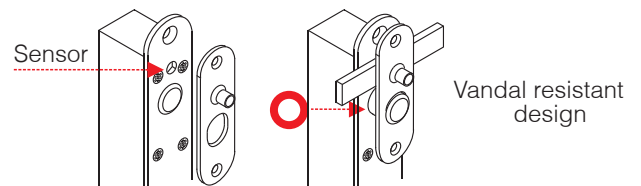
Intelligent Electronics

The built-in intelligent logic circuit allows the bolt to project several times until the swing-through door is settled on the closed position.



Vandal Resistant

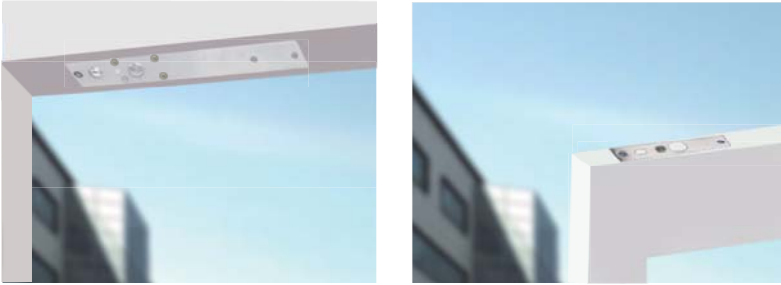
The lock cannot be deceived by slipping a metal object between the lock and strike plate. After the bolt is projected to lock the door, the sensor detection immediately stops to prevent unauthorized access attempts and ensure extra security.



Mortise Installation

The EB190TG/195TG series electric dropbolts can be installed either horizontally on the top or bottom of the door frame or vertically on the side of the door frame.

Horizontal Installation



Vertical Installation



Surface Installation



The EB195TGS incorporates the EB195TG electric dropbolt lock in a surface mounted housing. It can be fitted to metal door and frame, or glass door with top rail and metal frame.

Glass Door/Wall Installation



The EB195TGVGL is surface mounted and suitable for use on glass door and wall.