

Statement:

The GK-350 series surface mount electric strikes are designed for use with night latch locks (without deadbolt) having up to 12 mm throw latchbolt.

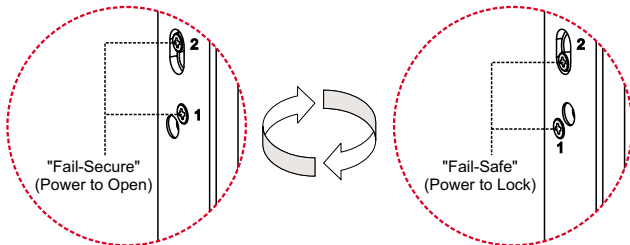
The units are design for use with most hollow metal frames, aluminum frames and wood frames. Stainless steel plate ensures strength and long life.

Specifications:

- Power Input: 12 V DC (24V DC available by special order)
- Voltage Tolerance: $\pm 15\%$
- Current Draw: 0.25 A@12 VDC; 0.15 A@24 VDC (at temperature 20°C)
- Operating Temperature: -10~45°C
- Humidity: 0~95% non-condensing.
- Lock's surface Temperature (when the power is on): \leq current temperature +20°C
- 2000 LBS jaw strength pull testing.
- Tested to 1,000,000 cycles.
- Weight (Approx.) : 330 g

Version Changeable

Field-reversible (by changing position of screws) on site for Fail-safe (Power to Lock) or Fail-secure (Power to Open) in 10 seconds.



Long life solenoids

Strikes are powered by a solenoid, not a buzzer coil. Special designed solenoid for strength and long life operating lifetime with guaranteed 1,000,000 operations.

Warranty:

GEM Electric Strikes are warranted against defects in material and workmanship while used in normal service for a period of 3 years from the date of sale to the original customer.

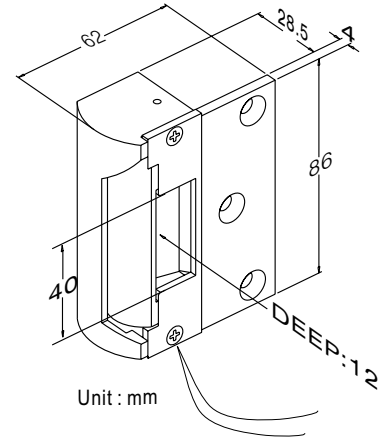
Disclaimer:

The information and specifications printed in this manual are current at the time of publication. The GEM policy is one of continual development and improvement; therefore GEM reserves the right to change specifications without notice.

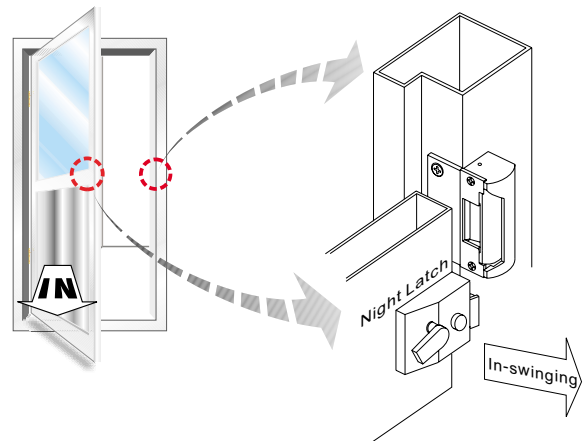
GIANNI INDUSTRIES, INC.



GK-350



Hollow Frames Surface Mount Installation



Wood Frames Surface Mount Installation

