
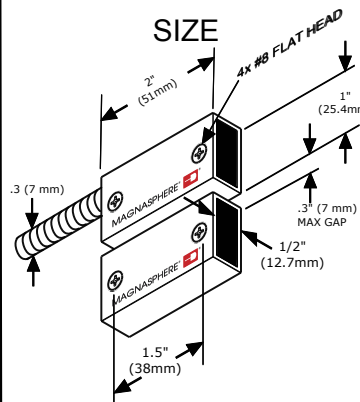
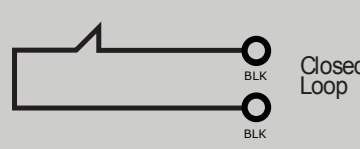

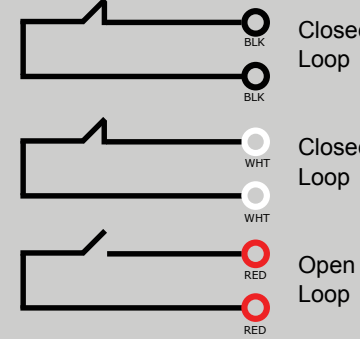
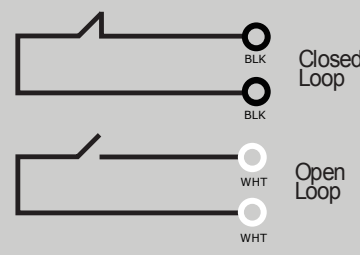
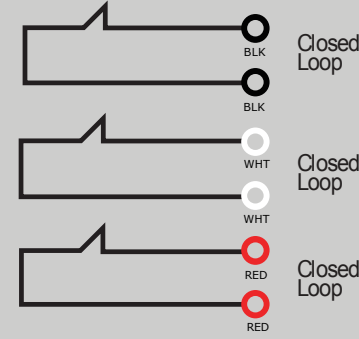
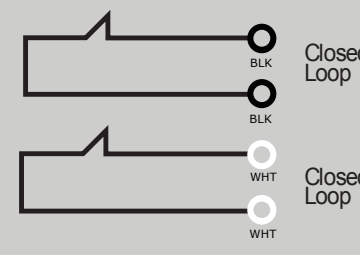
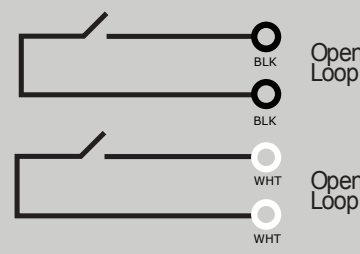
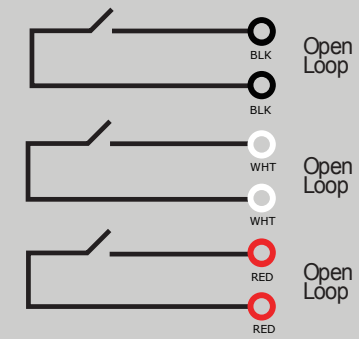
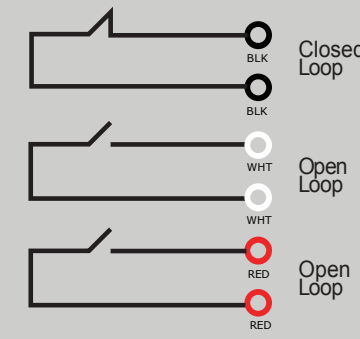


Magnasphere MSS-300S Series (Surface Mount)

<p>MSS-3XXS Surface Mount</p> 	<p>NOMENCLATURE</p> <p>Surface mount</p> <p># of closed loops</p> <p>MSS - 3 x x S</p> <p>Triple loop capacity</p> <p># of open loops</p>	<p>SIZE</p> 	<p>Magnasphere Electrical Specifications</p> <p>Max Current: 0.25A Resistive</p> <p>Max Voltage: 30 VDC</p> <p>Max Power: .25 W Resistive</p> <p>Max Gap: .3" [7mm]</p> <hr/> <p>22 AWG - 24" [61cm] Armored Cable</p> <p>Housing: Aluminum</p> <p>See Page 41 for Custom Cable Length</p>
---	---	--	--

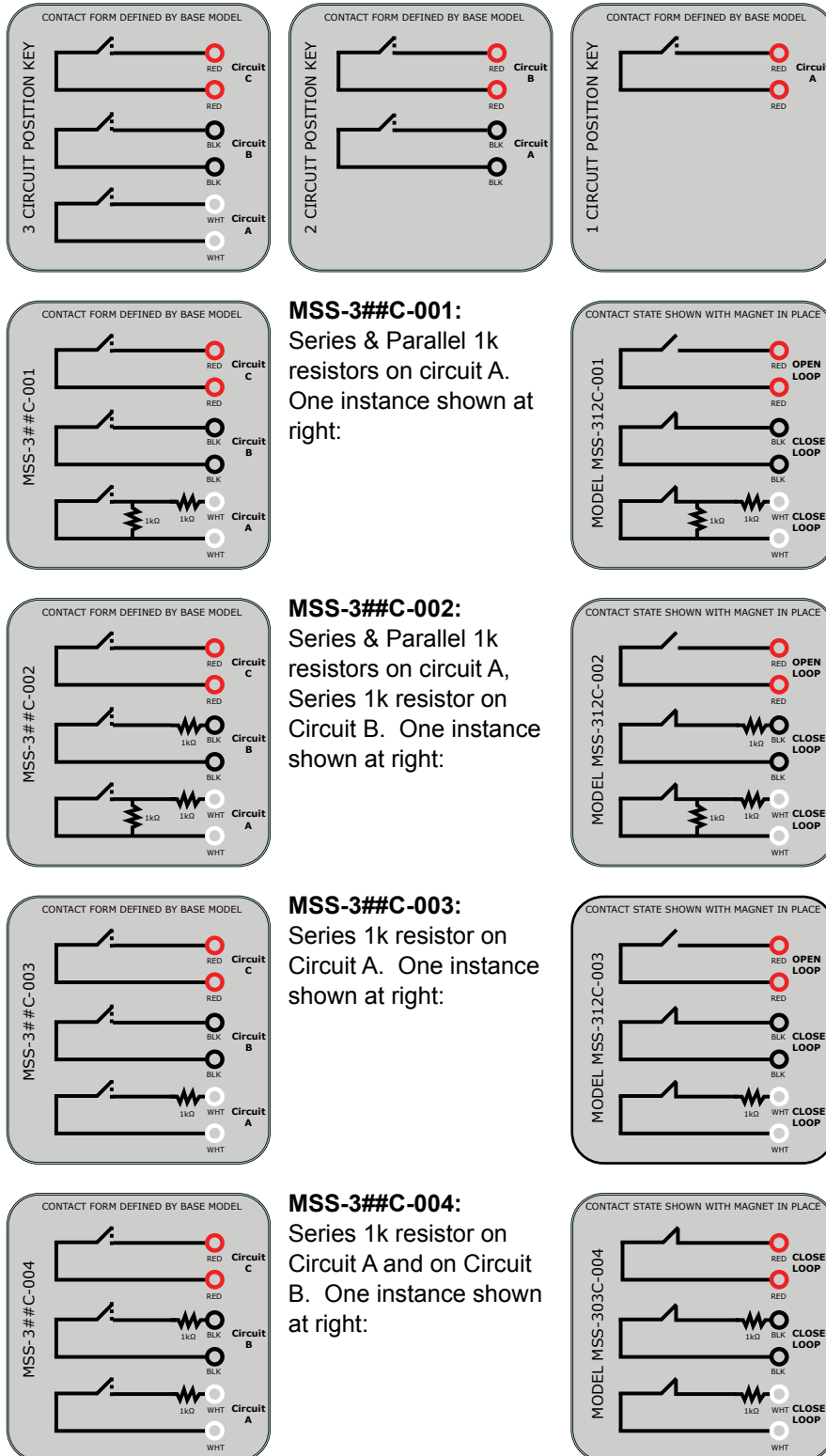
NOTE: CONTACT STATE SHOWN WITH TARGET MAGNET IN PLACE

Available Part Numbers

<p>MSS-310S</p>  <p>Closed Loop</p>	<p>MSS-301S</p>  <p>Open Loop</p>	<p>MSS-321S</p>  <p>Closed Loop</p> <p>Closed Loop</p> <p>Open Loop</p>
<p>MSS-311S</p>  <p>Closed Loop</p> <p>Open Loop</p>	<p>MSS-330S</p>  <p>Closed Loop</p> <p>Closed Loop</p> <p>Closed Loop</p>	<p>MSS-320S</p>  <p>Closed Loop</p> <p>Closed Loop</p>
<p>MSS-302S</p>  <p>Open Loop</p> <p>Open Loop</p>	<p>MSS-303S</p>  <p>Open Loop</p> <p>Open Loop</p> <p>Open Loop</p>	<p>MSS-312S</p>  <p>Closed Loop</p> <p>Open Loop</p> <p>Open Loop</p>

### Surface MSS 300 Series

#### End-Of-Line Resistor Standard Models ( -### suffix)



For End-Of-Line Resistor Custom Models Contact Magnasphere Corp.