

### MHD-DI45B-200



#### ■ Features

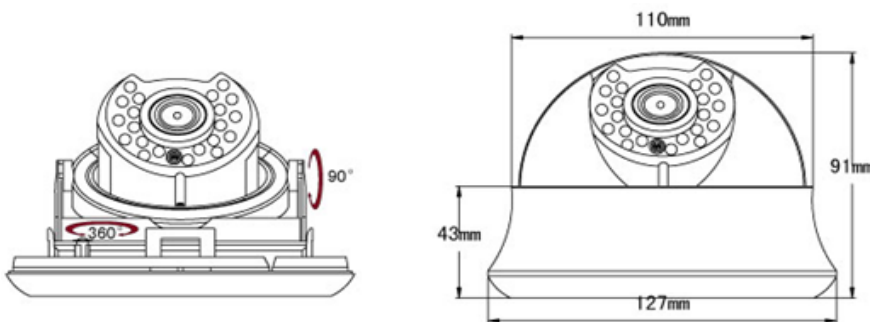
- ◆ 4.5 inch Plastic IR Dome Camera
- ◆ 1/2.9" SONY 2.0 Megapixel CMOS Sensor
- ◆ 21 pcs  $\phi$  5mm IR-LED, IR Range 20M
- ◆ Built-in 3.6mm ICR Lens (6mm is Optional)



#### ■ Specifications

Model Name	MHD-DI45B-200
Image Device	1/2.9" SONY 2.0 Megapixel CMOS Sensor
CMOS Sensor	IMX323
DSP Device	NVP2441
Picture Elements	1928(H) $\times$ 1088(V) ,1080P
Min. Illumination	0.01Lux
TV System	PAL/NTSC
Lens Furnished	3.6mm ICR Lens (6mm is Optional)
Infrared Luminary	21 pcs $\phi$ 5mm IR-LED
Illuminate Distance	20 M
Wavelength	850 nm
S/N Ratio	More than 41dB
Electronic Shutter	AUTO/1/50(1/60)-1/50,000sec
Day&Night	EXT/B/W/Color/Auto
Sync. System	Internal
Video Output	1 Vp-p / 75 Ohms
Power Supply	DC12V $\pm$ 10%
Operation Temperature	-20 $^{\circ}$ C ~ +50 $^{\circ}$ C
Dimension	$\phi$ 127 x 91 mm
Weight	600g

#### ■ Size Chart



*Design and specifications are subject to change without notice.*