

MHD-HSP-200



Features

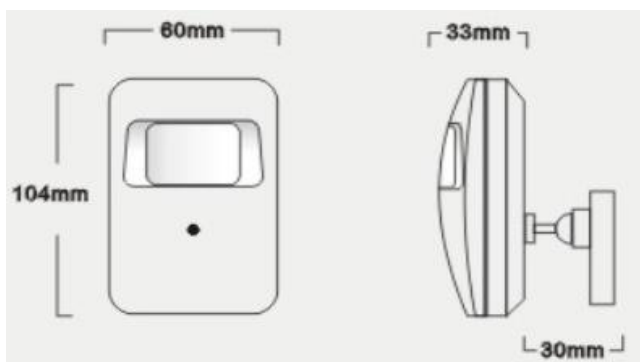
- ◆ IR Spy Camera
- ◆ 1/2.9" SONY 2.0 Megapixel CMOS Sensor
- ◆ Easy For Installation
- ◆ Built-in 3.7mm Taper Pinhole Lens



Specifications

Model Name	MHD-HSP-200
Image Device	1/2.9" SONY 2.0 Megapixel CMOS Sensor
CMOS Sensor	IMX323
DSP Device	NVP2441
Picture Elements	1928(H)×1088(V) ,1080P
Min. Illumination	0.01Lux
TV System	PAL/NTSC
Lens Furnished	Built-in 3.7mm Taper Pinhole Lens
S/N Ratio	More than 41dB
Electronic Shutter	AUTO/1/50(1/60)-1/50,000sec
Day&Night	EXT/B/W/Color/Auto
Sync. System	Internal
Video Output	1 Vp-p / 75 Ohms
Power Supply	DC12V±10%
Operation Temperature	-20℃ ~ +50℃
Dimension	104 x 60 x 33 mm
Weight	400g

Size Chart



Design and specifications are subject to change without notice.