

TVT

Secure The World With You

www.tvt.net.cn



TD-9627E2

**4" 16× 2MP Network IR HD High Speed
Dome Camera**

TVT

TVT DIGITAL TECHNOLOGY CO., LTD.

Address: 5F, North Block, CE Lighting House, Hi-Tech Park, Nanshan District, Shenzhen, Guangdong Province, P.R.China 518057

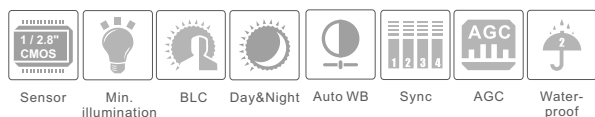
Tel: +86-755-3330 6001

Fax: +86-755-3330 6002

Web site: www.tvt.net.cn

E-mail: overseas@tvt.net.cn

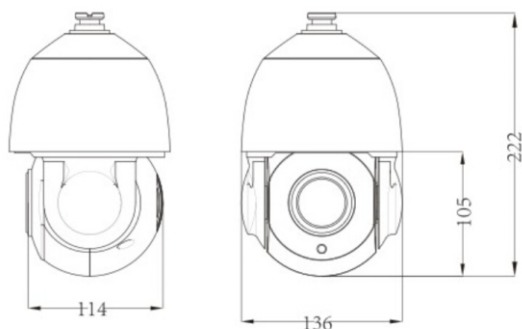
4" 16× 2MP Network IR HD High Speed Dome Camera



Features

- 1 / 2.8" progressive CMOS, 16× optical zoom
- Auto iris, auto focus, auto white balance, BLC and 3D DNR
- HD network video output : 1920 × 1080 @30fps
- H.265 and H.264 image compression format
- TCP / IP, UDP, DHCP, DDNS, NTP, RTSP, SMTP, FTP, PPPoE, IPv4 / IPv6
- SD card local storage, network remote storage
- Web GUI Menu
- Efficient IR array to assist in illumination, low power consumption and up to 50m IR night view distance
- IR LEDs and matching algorithm for ideal image condition by adjusting the brightness and angle of the IR LEDs based on the zoom ratio and distance
- Built-in heat treatment device to lower the inside temperature and avoid fogging of the camera rear cover
- Using 3D intelligent position function through the DVR, client software and IE to realize tracking and amplification
- Power off memory — restoring the PTZ and lens status automatically to its previous status (the status just before the dome is powered off) after the dome is powered on
- IP66 ingress protection; TVS 6KV lightning protection, surge protection
- 1 CH audio input and 1 CH audio output
- Precision motor driving, sensitive and responsive, smoothly running,
- less than 0.1° precision error and no image floating at any speed
- Support home position function

Dimensions



Specifications

Model	TD-9627E2
Specifications	
Camera Module	
Image Sensor	1 / 2.8" Progressive Scan CMOS
Effective Pixels	2MP
White Balance	Auto / Manual
AGC	Auto / Manual
3D DNR	Yes
Lens	
Focal Length	5.5 ~ 88 mm
Function	
Pan Range	360° endless rotation
Pan Speed	Manual control speed: 0.1° ~ 120°/s; preset speed: 160°/s
Tilt Range	0 ~ 90°
Tilt Speed	Manual control speed: 0.1° ~ 50°/s; preset speed: 50°/s
Zoom	Yes
Preset	256 presets
Cruise	8 cruises, 16 presets for each cruise
Scan	2 scans
Track	4 tracks, 3 minutes' recording for each track
Time Task	Yes
Home Position	Yes
Power Off Memory	Yes
IR Function	
IR Distance	50 m
IR Control	Brightness and angle of the IR LEDs to be smartly adjusted according to the scenes
Network	
Max Image Size	1920 × 1080
Resolution	2MP (1920 × 1080), 1.3MP (1280 × 960), VGA (640 × 480)
Video Compression	H.265 / H.264 / MJPEG
Video Compression Protocol	G.711A / G.711U
Network Protocol	TCP / IP, UDP, DHCP, DDNS, NTP, RTSP, SMTP, FTP, PPPoE, IPv4 / IPv6
Preview Video channels	Max 10 CH
System Integration	
Network Interface	Built-in RJ45 network port, support 10M / 100M network data
SD Card Interface	Built-in Micro SD card slot, support manual recording
API	API, SDK, ONVIF, GB / T28181
Web Client	Web 4.0
General Specifications	
OSD Menu	Chinese / English
Power Supply	DC12V 4000 mA (15W, max 30W)
Working Environment	-30 ~ 60°C; humidity: less than 90%
Protection Level	IP66, IK10, TVS6KV lightning protection, surge protection

Available Model

Available Model	TD-9627E2
-----------------	-----------