
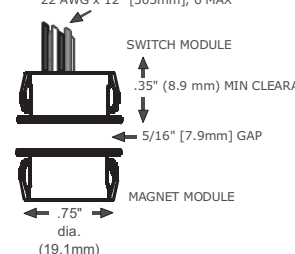
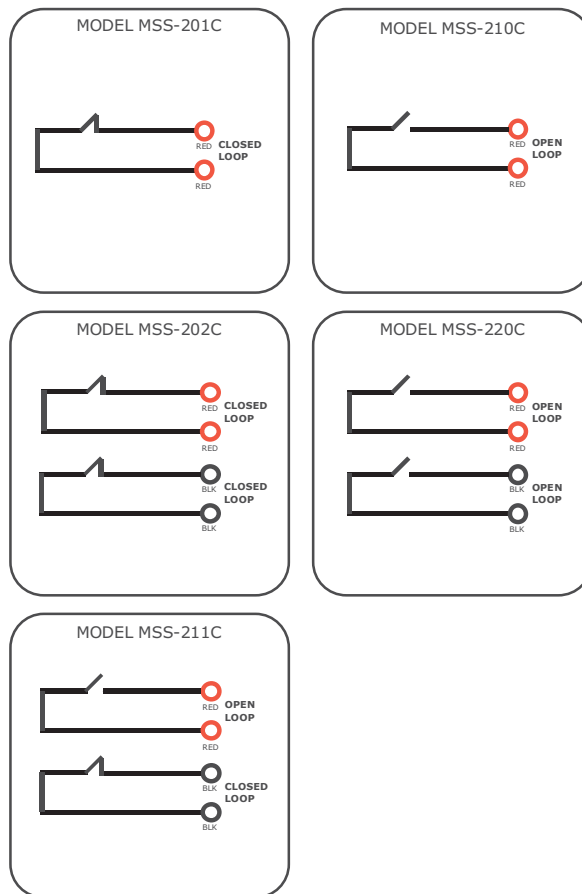


MSS-200C and MSS-200C-FIRE Series (Recessed)

	<p>NOMENCLATURE</p> <p>Concealed</p> <p># of open loops</p> <p>MSS - 2 x x C</p> <p>Double loop capacity</p> <p># of closed loops</p>	<p>SIZE</p> <p>22 AWG x 12" [305mm], 6 MAX</p>  <p>SWITCH MODULE</p> <p>.35" (8.9 mm) MIN CLEARANCE</p> <p>5/16" [7.9mm] GAP</p> <p>MAGNET MODULE</p> <p>.75" dia. (19.1mm)</p> <p>MAX Gap 5/16" [7.9mm]</p>	<p>Specifications</p> <p>Max Current: 0.25A Resistive Max Voltage: 30 VDC Max Power: .25 W Resistive Suitable for outdoor use</p> <hr/> <p>Leads: 22 AWG 12" [30.5cm] Housing Color: White, Gray and Brown</p>
--	--	---	---

NOTE: CONTACT STATE SHOWN WITH TARGET MAGNET IN PLACE



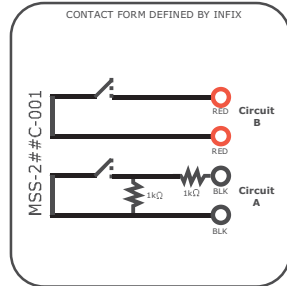
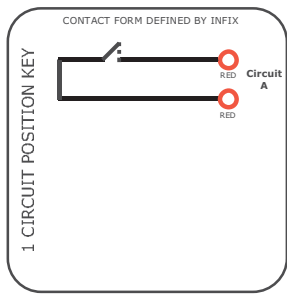
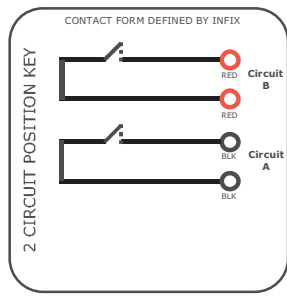
see page 15 for accessories

* To Order the UL10C classified/listed contacts (misc. fire door accessories, positive pressure tested.) add -FIRE suffix to the part number. MSS-200C-FIRE series is rated at 3 hours.

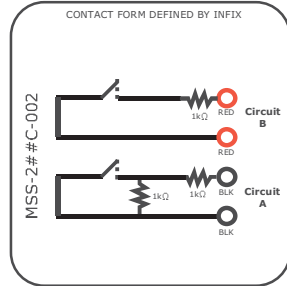
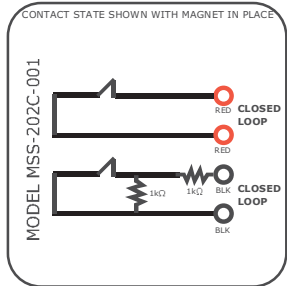


MSS-200C and MSS-200C-FIRE Continued
 NOTE: CONTACT STATE SHOWN WITH TARGET MAGNET IN PLACE

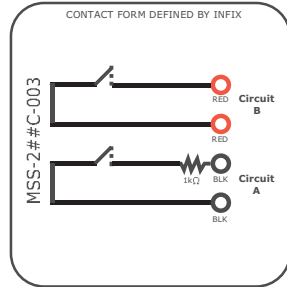
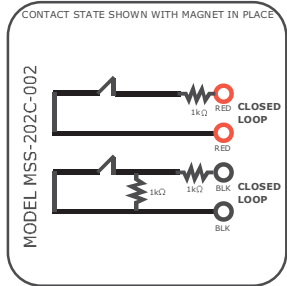
End-Of-Line Resistor Standard Models (-### suffix)



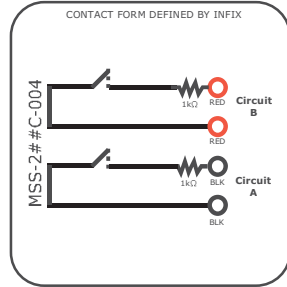
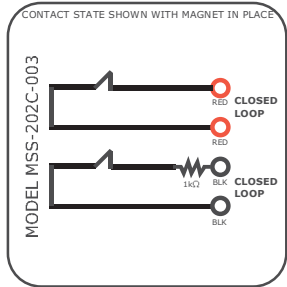
MSS-2##C-001:
 Series & Parallel 1k resistors on circuit A. One instance shown at right:



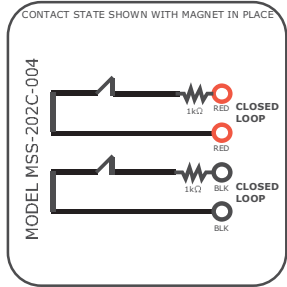
MSS-2##C-002:
 Series & Parallel 1k resistors on circuit A, Series 1k resistor on Circuit B. One instance shown at right:



MSS-2##C-003:
 Series 1k resistor on Circuit A. One instance shown at right:



MSS-2##C-004:
 Series 1k resistor on Circuit A and on Circuit B. One instance shown at right:



see page 15 for accessories

call to verify the proposed part number (+1 262-347-0711)

* To Order the UL10C classified/listed contacts (misc. fire door accessories, positive pressure tested.) add -FIRE suffix to the part number. MSS-200C-FIRE series is rated at 3 hours.