

This series of request to exit buttons can be mounted directly in ANSI electrical box (Mortise mount)

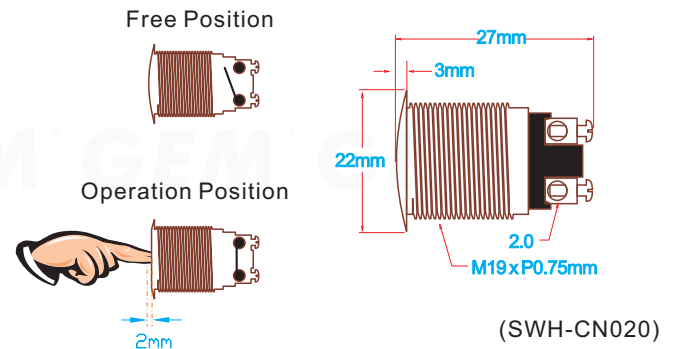
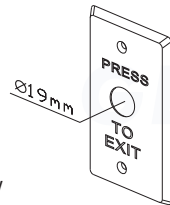


This series of request to exit can be mounted directly in ANSI electrical box (Mortise mount) or with SMB-500, SMB-050, SMB-750 for surface mount.



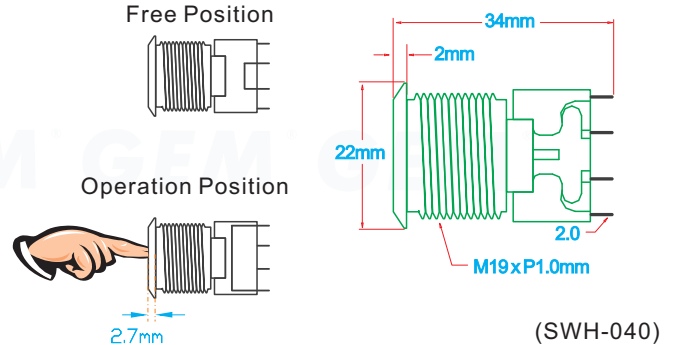
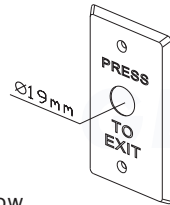
PBT-020B-2

Faceplate: Stainless steel  
Type of actuation: Momentary  
Contact arrangement: single pole single throw  
Max. Ratings : 3A/125V AC, 6A/24VDC  
Contact resistance: 50 mΩ Max.(initial)  
Operating life(Mechanical) : Over 100,000 times  
Operating travel: 2.0 mm



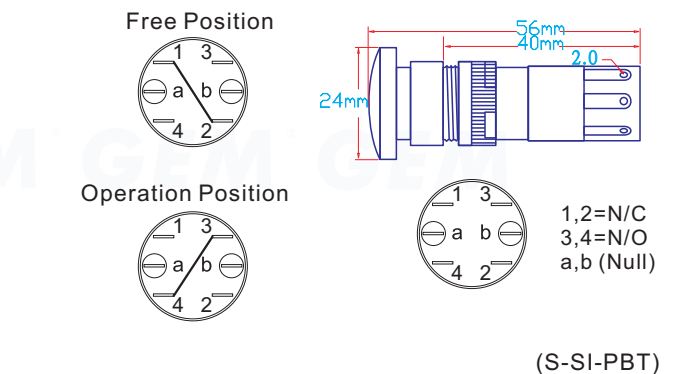
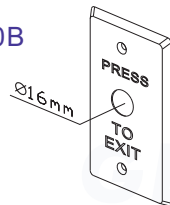
PBT-020B-4

Faceplate: Stainless steel  
Type of actuation: Momentary  
Contact arrangement: Double pole double throw  
Max. Ratings : 5A/125/250 VAC  
Contact resistance: 50 mΩ Max.(initial)  
Operating life(Mechanical) : Over 100,000 times  
Operating travel: 2.7 mm  
Cables included



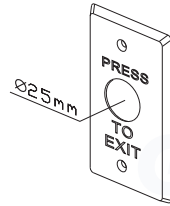
PBT-060B

Faceplate: Stainless steel  
Type of actuation: Momentary  
Contact arrangement: Double pole double throw  
Max. Ratings : 5A/250 VAC, 6A/24VDC  
Contact resistance: 50 mΩ Max.(initial)  
Operating life(Mechanical) : Over 100,000 times  
Operating travel: 3.2 mm

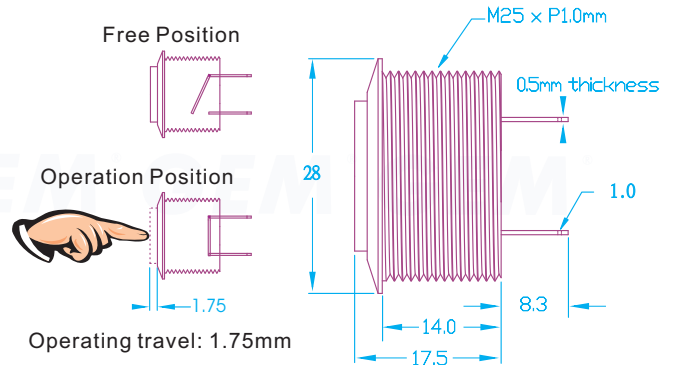




**PBT-020BJ**



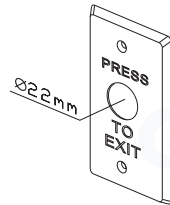
Faceplate: Stainless steel  
 Type of actuation: Momentary  
 Contact arrangement: Single pole single throw (N.O.)  
 Max. Ratings : 5mA/12VDC  
 Contact resistance: 1kΩ Max.(initial)  
 Operating life(5mA/5VDC) : Over 100,000 times  
 Operating travel: 1.75mm



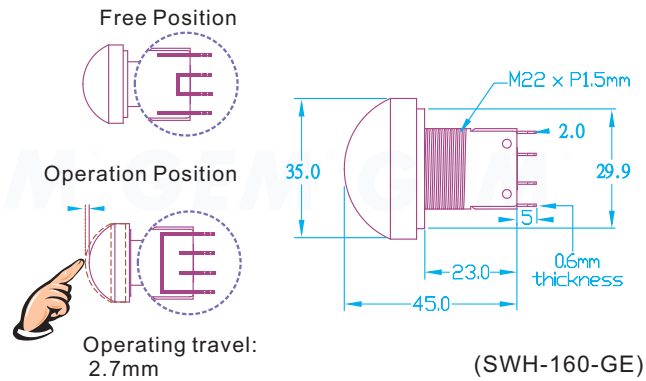
(MSW-2502-EXIT)



**PBT-160B**



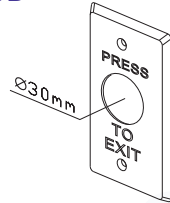
Faceplate: Stainless steel  
 Type of actuation: Momentary  
 Contact arrangement: Double pole double throw  
 Max. Ratings : 5A/125/250 VAC  
 Contact resistance: 50mΩ Max.(initial)  
 Operating life(Mechanical) : Over 100,000 times  
 Operating travel: 2.7mm



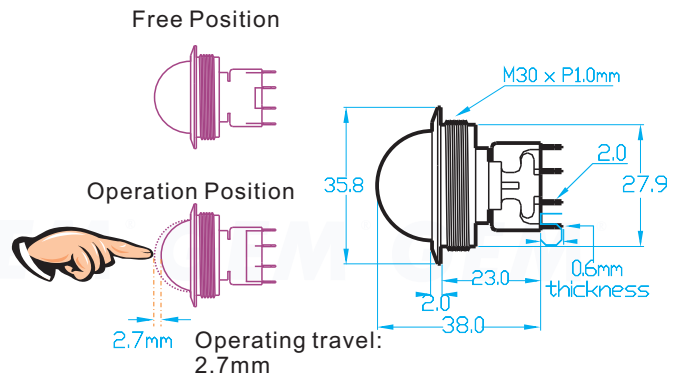
(SWH-160-GE)



**PBT-180B**



Faceplate: Stainless steel  
 Type of actuation: Momentary  
 Contact arrangement: Double pole double throw  
 Max. Ratings : 5A/125/250 VAC  
 Contact resistance: 50 mΩ Max.(initial)  
 Operating life(Mechanical) : Over 100,000 times  
 Operating travel: 2.7 mm  
 Cables included



(SWH-060)

### GIANNI INDUSTRIES, INC.