

Electromagnetic Locks

Indoor GEM Series

New Style Mounting Plate Design and Patented



The GEM series electromagnetic locks use a new style mounting plate and patented. The mounting plate is designed with increased thickness for the screw hole at each end to secure the lock body with more stability and strength. The GEM series can be installed on various types of doors or door frames with optional auxiliary mounting brackets.

Standard Features

- Reversible magnet for left or right handed doors (For single magnet, unmonitored models)
- New style mounting plate with increased immobility (Patented)
- Aluminum anodized casing (US28)
- MOV prevents spike and surge current
- Automatic voltage selection 12/24 VDC
- No residual magnetism

Standard Options

- Bi-color status LED indicator (Available with standard/ square/large configurable red/green LED)
- Built-in bond sensor and door status sensor
- Relock time delay
- Door held open alarm

Patents, Approvals, and Listings

- UL 10B, UL10C, ULC S104 listed : R21198
- NF S 61-937 Compliant (For unmonitored models)
- CE: EC651213

Indoor GEM Series Electromagnetic Locks



Large, Bi-Color LED & Reset Input for GEM-800-LD/1200-LD Series



The GEM-800-LD/1200-LD series electromagnetic locks feature a configurable large, visible red/green LED that provides better visibility and indicates door is locked or unlocked. Reset input is also included for independent lock control. Recommended for use on outswing doors.

LED dimensions: 37.5 (W) x 15 (H) mm
 Models: GEM-800-MTD-LD, GEM-800-MDS-TD-LD
 GEM-1200-MTD-LD, GEM-1200-MDS-TD-LD

Square LED Option Available for GEM Series Electromagnetic Locks



GEM series electromagnetic locks offer a square LED option that gives a more clear indication of lock status.

LED dimensions: 15(W) x 15(H) mm

New Style Mounting Plate (Patented)

The mounting plate thickness is increased at each end where screw is attached to secure the magnet. Available with 2 types of mounting plates.

Screw Hole at Each End of Mounting Plate



Mounting plate thickness at screw hole varies with the models. (GEM-300: 8mm; GEM-600/800/D600/D800/D1200: 10mm; GEM-1200: 13mm)

Mounting Plate Type



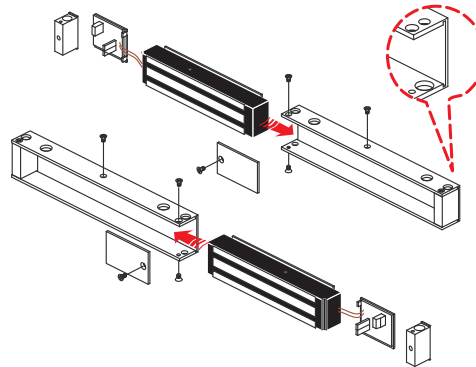
For GEM -300/D600/
D800/D1200



For GEM-600/800/1200

Reversible Installation (For single magnet, non-monitored models)

Magnet can be reversed depending on whether it is used for right or left handed doors.



Functions for Indoor GEM Series Electromagnetic Locks

Armature Design

Mechanical kick-off device on armature plate ensures no residual magnetism.

Screw Installation Design

The built-in mounting screw of the magnet saves time on tapping, allowing easy installation.

Bond Sensor (Option)

Indicates door locked and unlocked. SPDT rated: 0.5A/125VAC, 1A/24VDC

Bi-Color Status LED Indicator (Option)

Included on bond sensor option, the visual LED indicates that door is locked or unlocked. The large, configurable bi-color LED is available for GEM-800-LD/1200-LD series. Green: Unlocked; Red: Locked

Door Held Open Alarm (Option)

Alarm for prolonged opening of the door. Time is adjustable from 1 to 80 seconds.







Relock Time Delay (Option)

Field adjustable relock time delay of 1~80 seconds. Instant release with adjustable relock time.

Door Status Sensor (Option)

Indicates door open and closed. Rated: 0.2A/12VDC

Indoor GEM Series Electromagnetic Locks

Models	Holding Force (lbs)	Voltage (VDC)	Standard Options	Optional Brackets			
				Narrow Frame/ Outswing Door	Inswing Door	Glass Door	
Single Magnet							
GEM-300	300	12/24	M	L-GEM-300	LZ-GEM300	—	—
GEM-600 	600	12/24	M, ML, MTD, MDS, MDS-TD	L-GEM-600 L-GEM-600AU	LZ-GEM-600 LZ-GEM-600AU	Z-GEM-600	UBK-013 Series UBK-600G Series
GEM-800 	800	12/24	M, ML, MTD, MDS, MDS-TD, MTD-LD MDS-TD-LD, MBZ	L-GEM-800 L-GEM-800AU	LZ-GEM-800 LZ-GEM-800AU	Z-GEM-800	UBK-013
GEM-1200 	1200	12/24	M, ML, MTD, MDS, MDS-TD, MTD-LD MDS-TD-LD, MBZ, MDS-BZ	L-GEM-1200 L-GEM-1200AU	LZ-GEM-1200 LZ-GEM-1200AU	Z-GEM-1200	—
Double Magnets							
GEM-D600 	600 x 2	12/24	M, ML, MTD, MDS, MDS-TD	L-GEM-D600 L-GEM-D600AU	LZ-GEM-D600 LZ-GEM-D600AU	—	—
GEM-D800 	800 x 2	12/24	M, ML, MTD, MBZ	L-GEM-D800 L-GEM-D800AU	LZ-GEM-D800 LZ-D800AU	—	—
GEM-D1200 	1200 x 2	12/24	M, ML, MTD, MDS, MDS-TD, MBZ	L-GEM-D1200 L-GEM-D1200AU	LZ-GEM-D1200 LZ-GEM-D1200AU	—	—

Notes:

Standard models are all unmonitored.

For more information on optional brackets or other mounting accessories, please refer to other GEM catalogues.

M: Bond sensor & Bi-color status LED indicator

ML: Bond sensor & Bi-color square LED indicator

DS: Door status sensor

TD: Relock time delay

BZ: Buzzer alarm (door held open alarm)

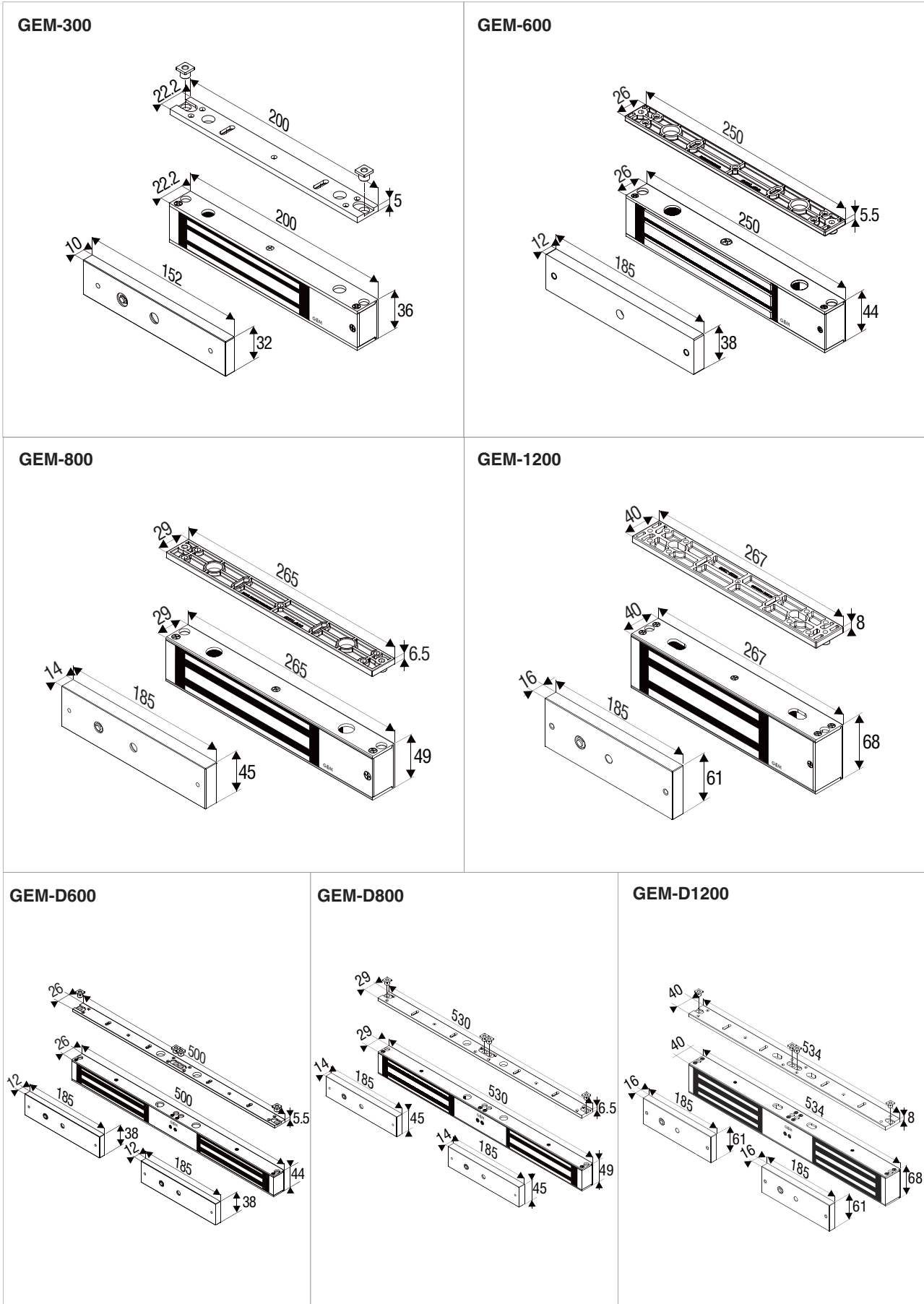
LD: Configurable large and visible red/green LED for better visibility; reset input for independent lock control

M, DS, and MDS options passed UL Fire Tests of Door Assemblies.

Warranty

The product is warranted against defects in material and workmanship while used in normal service for a period of 2 year from the date of sale to the original client. The GEM policy is one of continual development and improvement; therefore GEM reserves the right to change specifications without notice.

Dimensions



All dimensions in mm